

METHOD FOR RETRIEVING POSITION OF CALLER, ITS SYSTEM AND RECORD MEDIUM

Publication number: JP11055407 (A)

Publication date: 1999-02-26

Inventor(s): MATSUURA MASATO; HISADA SABURO; FUJIWARA SHUZO; AIDA NORIYASU

Applicant(s): NTT DATA KK

Classification:

- international: **H04M3/42; G06F17/30; H04M11/08; H04M3/42; G06F17/30; H04M11/08; (IPC1-7): H04M3/42; G06F17/30; H04M11/08**

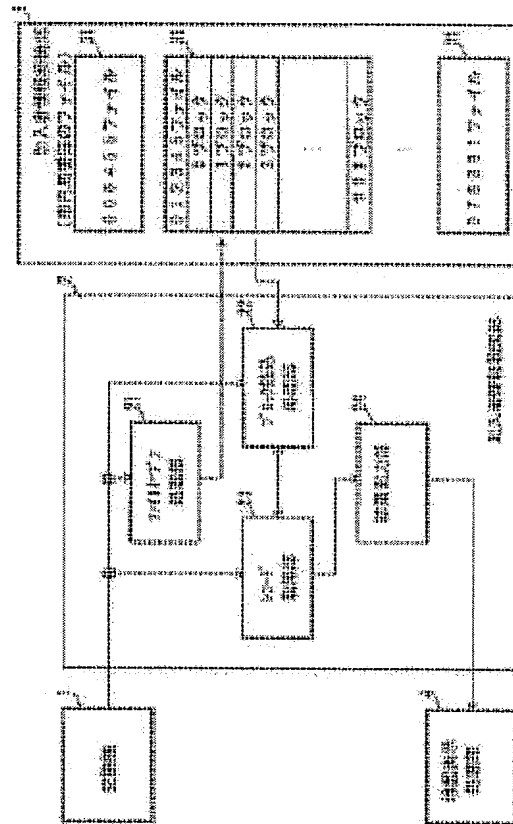
- European:

Application number: JP19970210464 19970805

Priority number(s): JP19970210464 19970805

Abstract of JP 11055407 (A)

PROBLEM TO BE SOLVED: To easily and surely receive an emergent call from a vehicle or the like by retrieving subscriber information such as an address of a subscriber corresponding to an entered telephone number at a high speed with a high efficiency. **SOLUTION:** Upon the receipt of a telephone number, a file open processing section 21 of a subscriber information retrieval section 2 retrieves a subscriber information storage section 3 to open a subscriber information file 31 whose file name is a character string of a 'toll station number + local station number' in the telephone number. A block read processing section 22 extracts upper 3-digits of the subscriber number to read a corresponding block in the opened subscriber information file 31.; A record acquisition section 23 extracts the least significant digit of the subscriber number from the block read by the block read processing section 22, specifies a record whose record number corresponds to the least significant digit and then acquires the subscriber information. A map display processing section 4 displays the subscriber information together with a map.



Data supplied from the *esp@cenet* database — Worldwide

* NOTICES *

Ref.2

JPO and INPIT are not responsible for any damages caused by the use of this translation.

- 1.This document has been translated by computer. So the translation may not reflect the original precisely.
- 2.**** shows the word which can not be translated.
- 3.In the drawings, any words are not translated.

DETAILED DESCRIPTION

[Detailed Description of the Invention]

[0001]

[Field of the Invention]This invention relates to the place-of-dispatch search method and system with which subscriber information including a member name and a subscriber address is searched at high speed from the telephone number which is built over the system with which subscriber information is searched by making a telephone number into input, especially is inputted.

[0002]

[Description of the Prior Art]For example, the emergency dial of the emergency call to a fire department or the emergency call to a police station is used. This kind of emergency dial is performed when generating a fire, an emergency case, a wounded person, an accident, or a crime. When a fire department or a police station receives an emergency dial, they has to start a suitable emergency vehicle promptly and has to dispatch the spot promptly. As an emergency vehicle, by jurisdiction of a fire department, there is an ambulance in the case of generating of the motor fire engine in the case of an outbreak of a fire and an emergency case, or a wounded person, and there are police vehicles, such as a police car in the case of generating of an accident or a crime and an accident processing vehicle, by jurisdiction of a police station.

[0003]When receiving such an emergency dial in a fire department or a police station, it must be urgent and the spot to which an emergency vehicle should be dispatched promptly must be grasped. However, there is that it is difficult for an applicant (i.e., the notifier itself) to often give correctly the place which mind is frightened to death and is demanding the emergency vehicle in an emergency. If the place to which an emergency vehicle should be dispatched cannot be grasped correctly, the emergency vehicle cannot reach to the spot and cannot perform appropriate treatment.

[0004]However, in many cases, the report itself is performed by telephone near the spot.

Even if the notifier is frightened to death, it is comparatively easy to check a telephone number. And in the system which reports a calling source telephone number to an addressee, it is also possible like calling telephone number display service to input into the sending agency search system of a receiver the calling source telephone number automatically transmitted via a switchboard. Then, a telephone directory etc. are searched, a member's subscriber information, i.e., member name, an address, etc. corresponding to the telephone number are promptly acquired from such a telephone number, and to pinpoint the spot is desired.

[0005]Thus, the art of searching subscriber information from a telephone number is indicated, without JP,5-130235,A, JP,5-191504,A, JP,6-231020,A, and JP,8-190555,A.

[0006]The art which retrieves and downloads a name etc. from a database based on a telephone number is indicated by JP,5-130235,A. The art which acquires a member name and an address from the 1st database based on a telephone number, searches the 2nd database from the address and acquires the map near [concerned] the address is indicated by JP,5-191504,A. In JP,6-231020,A, main class address information is searched from the 1st database based on a telephone number, The art which searches inside classification address information from the 2nd database, acquires a member name and an address, searches the 2nd database from the address and acquires the map near [concerned] the address is indicated. JP,8-190555,A is asked for the address code of an address applicable from the outskirts of a city and a local office number, and the art outputted as address information, such as a notation of an address and reading, from an address code is indicated.

[0007]

[Problem(s) to be Solved by the Invention]However, when searching an address from a telephone number, the art which accelerates search of a database is not touched on to JP,5-130235,A and JP,5-191504,A. After searching main class address information, while belonging to the retrieved main class address, it is necessary to choose classification address information as JP,6-231020,A, and an address perfect at high speed cannot be

searched to it. In the method indicated by JP,8-190555,A, since only the long-distance number and local office number of a telephone number are used, an exact address cannot be distinguished. In order to use an address code as a pseudo code, search takes time.

[0008]Therefore, even if it uses the art indicated by these articles, it cannot contribute to improvement in the speed of search of a database. About the database of the subscriber address corresponding to a telephone number, one specific member must be searched from the telephone number tens of millions of affairs are also referred to. Thus, when searching one specific member's address from much data, in the conventional general retrieval system, search takes time and an emergency vehicle cannot hasten at the spot.

[0009]This invention was made in view of the situation mentioned above, and can search the subscriber information of the subscriber address corresponding to the telephone number inputted, etc. at high speed efficient, and an object of an invention is to provide the place-of-dispatch search method and system which make it possible to receive an emergency vehicle etc. easily and exactly. An object of this invention is to provide the place-of-dispatch search method and system which can distinguish an emergency and a telephone number automatically and can distinguish the information on that address from that telephone number at high speed.

[0010]
[Means for Solving the Problem]In order to attain the above-mentioned purpose, a place-of-dispatch search system by the 1st viewpoint of this invention, A high-order-digit portion which consists of two or more figures of a higher rank of a telephone number including a number which consist of a character string of a beam is made into a file name, A middle girder section which consists of two or more figures of a digit number below said high-order-digit portion of a medium which adjoins said high-order-digit portion of this telephone number is made into a block number, And as a direct access file which stored subscriber information which includes a member name and a subscriber address in each record by making into a record number a low order digit portion which is the lowest, single or more figures that adjoins said middle girder section of this telephone number, and consists of a beam of a digit number below said middle girder section, A subscriber information storing means which stores said subscriber information corresponding to said telephone number, Said subscriber information storing means is accessed based on said telephone number inputted by telephone number input means which inputs said telephone number, and said telephone number input means, A block reading means which reads a block which makes a block number said middle girder section of a file opened by a file open means and this file open means of opening a file which makes a file name said high-order-digit portion of this telephone number, And it has a record specifying means which takes out subscriber information which specifies a record which makes a record number said low order digit portion of a block read by this block reading means, and is registered into this record, A subscriber information search means to search and acquire subscriber information corresponding to said telephone number from said subscriber information storing means, and a subscriber information output means which outputs said subscriber information acquired by said subscriber information search means are provided.

[0011]In this place-of-dispatch search system, storing and a retrieval system of subscriber information data are set up in order to raise retrieval effectiveness. For this reason, subscriber information of a subscriber address corresponding to a telephone number inputted as the place of dispatch, etc. can be searched at high speed efficient, and a position of this place of dispatch can be grasped exactly.

[0012]Said subscriber information storing means may use as said high-order-digit portion a portion which consists of a long-distance number and a local office number, may use a portion except the single figure of the lowest of a subscriber's number as said middle girder section, and may contain a means to constitute said direct access file by using the single figure of the lowest of a subscriber's number as said low order digit portion.

[0013]A place-of-dispatch search system by the 2nd viewpoint of this invention, An address information table which used as a table address information for every high-order-digit portion which consists of two or more figures of a higher rank of a telephone number including a number which consist of a character string of a beam is stored, And a subscriber information storing means which stores a subscriber information table which stored subscriber information which contains portions other than a member name and address information for said every high-order-digit portion of a subscriber address by using said telephone number as a key for said every high-order-digit portion, Based on said telephone number inputted by telephone number input means which inputs said telephone number, and said telephone number input means, From said address information table stored in said subscriber information storing means, and a subscriber information table, with a relational database method. A subscriber information search means containing a database management means to acquire subscriber information corresponding to said telephone number, and a subscriber information output means which outputs subscriber information acquired by said subscriber information search means are provided.

[0014]This place-of-dispatch search system has also set up storing and a retrieval system of subscriber information data so that it may raise retrieval effectiveness. For this reason, subscriber information of a subscriber address corresponding to a telephone number inputted as the place of dispatch, etc. can be searched

at high speed efficient, and a position of this place of dispatch can be grasped exactly.

[0015] Said subscriber information storing means may contain a means to constitute said address information table and said subscriber information table by using as said high-order-digit portion a portion which consists of a long-distance number and a local office number of said telephone number.

[0016] Said subscriber information output means may include a map display means which displays a map which attached an index which shows a part equivalent to a subscriber address acquired by said subscriber information search means.

[0017] Said telephone number input means may contain a switchboard which has a message-serial-number informing function of a telephone office.

[0018] Said subscriber information storing means map coordinate information corresponding to a subscriber address as subscriber information including a means to store and said subscriber information output means, A map display means which displays a map which attached an index which shows map coordinates corresponding to a subscriber address acquired by said subscriber information search means may be included.

[0019] Especially when a place-of-dispatch search system of this invention constitutes an emergency call system, it is effective. In this case, for example, said telephone number input means inputs a telephone number contained in an emergency call from a telephone switchboard, and this call, and a subscriber information output means directs start of an emergency vehicle etc. based on searched subscriber information.

[0020] A place-of-dispatch search method by the 3rd viewpoint of this invention, A high-order-digit portion which consists of two or more figures of a higher rank of a telephone number including a number which consist of a character string of a beam is made into a file name, A middle girder section which consists of two or more figures of a digit number below said high-order-digit portion of a medium which adjoins said high-order-digit portion of this telephone number is made into a block number, And as a direct access file which stored subscriber information which includes a member name and a subscriber address in each record by making into a record number a low order digit portion which is the lowest, single or more figures that adjoins said middle girder section of this telephone number, and consists of a beam of a digit number below said middle girder section, A subscriber information storing step which stores said subscriber information corresponding to said telephone number in a subscriber information storage, Said subscriber information storage is accessed based on said telephone number inputted at a telephone number input step which inputs said telephone number, and said telephone number input step, File OPENSTEP which opens a file which makes a file name said high-order-digit portion of this telephone number, and a block reading step which reads a block which makes a block number said middle girder section of a file opened by this file OPENSTEP, A record acquisition step which acquires subscriber information which specifies a record which makes a record number said low order digit portion of a block read at this block reading step, and is registered into this record, It has a file closing step which closes a file opened by said file OPENSTEP, and a subscriber information output step which outputs said subscriber information acquired by said record acquisition step.

[0021] This place-of-dispatch search method has set up storing and a retrieval system of subscriber information data so that it may raise retrieval effectiveness. For this reason, subscriber information of a subscriber address corresponding to a telephone number inputted as the place of dispatch, etc. can be searched at high speed efficient, and a position of this place of dispatch can be grasped exactly.

[0022] Said subscriber information storing step uses as said high-order-digit portion a portion which consists of a long-distance number and a local office number, A portion except the single figure of the lowest of a subscriber's number may be used as said middle girder section, and a step which constitutes said direct access file by using the single figure of the lowest of a subscriber's number as said low order digit portion may be included.

[0023] Said subscriber information output step may contain a map display step which displays a map which attached an index which shows a part equivalent to a subscriber address acquired by said record acquisition step.

[0024] Said subscriber information storing step map coordinate information corresponding to a subscriber address as subscriber information including a step to store and said subscriber information output step, A map display step which displays a map which attached an index which shows map coordinates corresponding to a subscriber address acquired by said record acquisition step may be included.

[0025] A place-of-dispatch search method by the 4th viewpoint of this invention, An address information table which used as a table address information for every high-order-digit portion which consists of two or more figures of a higher rank of a telephone number including a number which consist of a character string of a beam, And a subscriber information storing step which stores in a subscriber information storage a subscriber information table which stored subscriber information which contains portions other than a member name and address information for said every high-order-digit portion of a subscriber address by using said telephone

number as a key for said every high-order-digit portion, Based on said telephone number inputted at a telephone number input step which inputs said telephone number, and said telephone number input step, From said address information table stored in said subscriber information storage, and a subscriber information table, by database management by a relational database method. It has a subscriber information searching step which acquires subscriber information corresponding to said telephone number, and a subscriber information output step which outputs subscriber information acquired by said subscriber information searching step.

[0026]This place-of-dispatch search method has also set up storing and a retrieval system of subscriber information data so that it may raise retrieval effectiveness. For this reason, subscriber information of a subscriber address corresponding to a telephone number inputted as the place of dispatch, etc. can be searched at high speed efficient, and a position of this place of dispatch can be grasped exactly.

[0027]Said subscriber information storing step may contain a step which constitutes said address information table and said subscriber information table by using as said high-order-digit portion a portion which consists of a long-distance number and a local office number of said telephone number.

[0028]Said subscriber information output step may contain a map display step which displays a map which attached an index which shows a part equivalent to a subscriber address acquired by said subscriber information searching step.

[0029]Said subscriber information storing step map coordinate information corresponding to a subscriber address as subscriber information including a step to store and said subscriber information output step, A map display step which displays a map which attached an index which shows map coordinates corresponding to a subscriber address acquired by said subscriber information searching step may be included.

[0030]A program for realizing a place-of-dispatch search method and a system of this invention, An above-mentioned method and a system may be realized by storing data etc. in recording media, such as a floppy disk and CD-ROM, distributing them, installing this in a computer or a computer system and performing it.

[0031]

[Embodiment of the Invention]Hereafter, this embodiment of the invention is described with reference to drawings.

[0032]First, with reference to drawing 1 - drawing 3, the place-of-dispatch search system concerning a 1st embodiment of this invention is explained. Drawing 1 shows the composition of the place-of-dispatch search system concerning a 1st embodiment of this invention. The place-of-dispatch search system shown in drawing 1 is provided with the switchboard 1, the subscriber information retrieval part 2, the subscriber information storage 3, and the map display treating part 4.

[0033]The message-serial-number informing function used for the system which reports a sending agency number like calling line identification presentation service to the addressee side, for example is used for the switchboard 1, and it is installed in a telephone office etc. The switchboard 1 outputs the telephone number of a sending agency, and inputs it into this place-of-dispatch search system. When the telephone number of switchboard's 1 dispatch origin cannot be outputted, or when a report etc. are made from the part distant distantly from the spot, the telephone number of the spot cannot be inputted from the switchboard 1. In consideration of such a case, the telephone number input part by manual operation may be provided separately. That is, when the telephone number input part by manual operation is provided, the telephone number of the spot is heard from a notifier at the time of reception of a report etc., and the telephone number is inputted into a system by a telephone number input part.

[0034]The subscriber information storage 3 matches and stores subscriber information including the member name and subscriber address corresponding to a telephone number and its telephone number. This subscriber information storage 3 may be combined with the subscriber information retrieval part 2 via a network etc. A telephone number is constituted by the character string of a letter symbol including a number or a number, and, generally consists of the long-distance number, a local office number, and a subscriber's number. In this case, when it sets up among the target telephone numbers according to the maximum digit number and a digit number is less than the maximum digit number, the digit number of a telephone number buries the top by "0", and arranges the least significant digit side. Therefore, as shown, for example in drawing 2, when a telephone number is made into all the 10 figures, 4 figures of low ranks always serve as a subscriber's number, and top 6 figures comprises "0" which buried shortage of a long-distance number, a local office number, and a digit number.

[0035]That is, the subscriber information storage 3 stores two or more subscriber information files 31. What is called a direct access file that makes a file name the character string of 6 figures of top of the high-order-digit portion of a telephone number, for example, a "long-distance number + local office number", as the subscriber information file 31 shows drawing 2 details, That is, it is constituted as a file accessed with a direct access method (DAM:Direct AccessMethod), and only the number of the "long-distance number + local office numbers" of the whole subscriber information for such a subscriber information file 31 is created. A direct access file is a

file which it is constituted by blocked record and can be accessed at random with a direct access method without index access (a kind of indirect access).

[0036]The middle girder section of a telephone number, for example, figures of a subscriber's number triple [top], each subscriber information file 31, That is, it is blocked by total of 1000 blocks which make "000" to "999" a block number, and each block comprises ten records which make the low order digit portion of a subscriber's number, for example, lowest single figure "0"-, "9" the record number which shows the record relative position within a block. The subscriber information of a member name, a subscriber address, etc. is stored in such each record, and the subscriber information file 31 is constituted. Although a high-order-digit portion, a middle girder section, and a low order digit portion may be set up in addition to the digit number mentioned above, respectively at this time, it is more desirable than the digit number of a low order digit portion to set up many digit numbers [many / and] of a high-order-digit portion for the digit number of a middle girder section rather than a middle girder section.

[0037]The subscriber information retrieval part 2 searches each subscriber information file 31 of the subscriber information storage 3 by using as a key the telephone number inputted from the switchboard 1, and acquires the thing corresponding to the telephone number into which it was inputted of the subscriber information including the member name and subscriber address which were stored in the subscriber information file 31. That is, the subscriber information retrieval part 2 has the file open treating part 21, the block read processing section 22, the record acquisition part 23, and the result output part 24.

[0038]The file open treating part 21 accesses the subscriber information storage 3 based on the high-order-digit portion which consists of a "long-distance number + local office number" of the telephone number inputted from the switchboard 1, and opens the subscriber information file 31 which makes a high-order-digit portion a file name. The block read processing section 22 reads the block of the block number which corresponds to the middle girder section which consists of figures of the subscriber's number of the inputted telephone number triple [top] from the subscriber information file 31 opened by the file open treating part 21 from the subscriber information file 31.

[0039]The record acquisition part 23 acquires the member name and address of the record of the record number applicable to the low order digit portion which consists of a single figure low rank of a telephone number, i.e., an applicable member, from the block read by the block read processing section 22. As already stated, the subscriber information file 31 opened till then is closed by the file open treating part 21 after acquisition of the subscriber information by this record acquisition part 23. The result output part 24 outputs the subscriber information acquired, the search results 23, i.e., the record acquisition part, of subscriber information.

[0040]Based on the subscriber information outputted from the result output part 24 of the subscriber information retrieval part 2, the map display treating part 4, The map near the this subscriber address that gave the index to the position applicable to the subscriber address based on the subscriber information concerned, i.e., the spot, is displayed on a display, and is printed out with a printer if needed. For this reason, a map is beforehand prepared for the map display treating part 4, and it stores in it so that it can access based on a subscriber address. Or the map display treating part 4 may enable search of the map information currently prepared outside by a network course based on a subscriber address.

[0041]The map display treating part 4 may unite and point to start of emergency vehicles, such as an ambulance and a motor fire engine.

[0042]The subscriber information which is acquired corresponding to the inputted telephone number and is outputted from the result output part 24 of the subscriber information retrieval part 2 for example, a subscriber address, Instead of carrying out a map display by the map display treating part 4, it only displays on a display as a character string, or it prints out with a printer, and may be made to use. Beforehand, include the map coordinate information corresponding to a subscriber address in subscriber information, store it in the subscriber information file 31 of the subscriber information storage 3, and the map display treating part 4, It may be made to display the index which shows the map and subscriber address position near the subscriber address based on this map coordinate information.

[0043]The subscriber information retrieval part 2 and the map display treating part 4 are arranged at a fire department, a police station, etc., and an emergency vehicle departs from them according to directions of the map display treating part 4, for example.

[0044]Next, operation of the place-of-dispatch search system shown in drawing 1 is explained with reference to the flow chart shown in drawing 3.

[0045]Two or more subscriber information files 31 which consist of a direct access file which makes it a file name, the high-order-digit portion, i.e., a "long-distance number + local office number", of a telephone number, are stored in the subscriber information storage 3. The subscriber information file 31 is stored about all the the target "long-distance number + local office numbers."

[0046]A start of processing will input a telephone number from the switchboard 1 (Step S1). When a telephone number is inputted, the file open treating part 21 of the subscriber information retrieval part 2, The subscriber information storage 3 is searched and the subscriber information file 31 which makes a file name the high-order-digit portion of a telephone number and the character string which is got blocked and consists of a component of a "long-distance number + local office number" is opened (Step S2). This is the 1st access from the subscriber information retrieval part 2 to the subscriber information storage 3.

[0047]Next, the block read processing section 22 of the subscriber information retrieval part 2 extracts the middle girder section (upper 3 figure of a subscriber's number) of an inputted telephone number, and accesses and reads the corresponding block in the opened subscriber information file 31 (Step S3). This is the 2nd access from the subscriber information retrieval part 2 to the subscriber information storage 3. The record acquisition part 23 out of the block read by the block read processing section 22. The low order digit portion of an inputted telephone number, i.e., the least significant digit of a subscriber's number, is extracted, a record is specified as a record number which wants to actually search this (step S4), and the subscriber information of the information on the record concerned, i.e., a member name, a subscriber address, etc. is acquired (Step S5).

[0048]Next, the file open treating part 21 closes the subscriber information file 31 opened at Step S2 (Step S6). This is the 3rd access from the subscriber information retrieval part 2 to the subscriber information storage 3. The result output part 24 outputs the subscriber information acquired at Step S5 (Step S7), and the map display treating part 4 displays the part corresponding to subscriber information with a map (Step S8). Directions required for start of emergency vehicles, such as an ambulance and a motor fire engine, are emitted if needed. An emergency vehicle departs according to these directions. Then, processing is ended.

[0049]Thus, access frequency, such as a disk of the subscriber information storage 3 required in order to search one specific member out of the member of millions of affairs, for example like an Osaka in the city, can be managed with only 3 times. Therefore, the subscriber information for which it wishes can be searched with very small access frequency.

[0050]Next, with reference to drawing 4 – drawing 6, the place-of-dispatch search system concerning a 2nd embodiment of this invention is explained.

[0051]Drawing 4 shows typically the composition of the place-of-dispatch search system concerning a 2nd embodiment of this invention. The place-of-dispatch search system shown in drawing 4 is provided with the same switchboard 1 as drawing 1, and the map display treating part 4, further, was replaced with the subscriber information retrieval part 2 and the subscriber information storage 3 of drawing 1, and is provided with the different subscriber information retrieval part 5 and the subscriber information storage 6 from these. In the place-of-dispatch search system of drawing 4, it is different from drawing 1 in that what is called a relational database system (DBMS:Database Management System), i.e., a database management system, is used for search of subscriber information.

[0052]The message-serial-number informing function used for the system which reports a sending agency number like calling line identification presentation service to the addressee side is used for the switchboard 1 installed in a telephone office etc. The switchboard 1 outputs the telephone number of a sending agency, and inputs it into this place-of-dispatch search system. The telephone number input part by manual operation may be provided separately.

[0053]The subscriber information storage 6 stores two or more address information subscriber information tables 61 and 62. The address information table 61 makes the portion (telephone number 1) which consists of a long-distance number and a local office number as shown, the high-order-digit portion, for example, drawing 5, of a telephone number, correspond, and stores address information (address 1). This address information is the area information corresponding to a local office number, for example. The subscriber information table 62 stores the remainder (address 2), for example, the address portion, and the corresponding map coordinates of a member name and a subscriber address by using as a key the telephone number containing a high-order-digit portion (telephone number 1) and a low order digit portion (telephone number 2), for example, a subscriber's number portion.

[0054]The subscriber information retrieval part 5 processes the stored information of the subscriber information storage 6 as what is called a relational database, and has the database manager 51 which builds, what is called a relational database system, i.e., a database management system.

[0055]As the database manager 51 shows drawing 5, based on the information on two or more address information subscriber information tables 61 and 62 of the subscriber information storage 6, The query view 51A which makes a component the high-order-digit portion (telephone number 1: long-distance number + local office number) of a telephone number, the low order digit portion (telephone number 2: subscriber's number) of a telephone number, a member name, address information (address 1), address information (address 2), and map coordinates is created.

[0056]This query view 51A uses the high-order-digit portion (telephone number 1) of a telephone number as a key from the address information table 61, Extract address information (address 1) and from the subscriber information table 62 corresponding to the high-order-digit portion (telephone number 1) of a telephone number, It has composition which extracts the high-order-digit portion (telephone number 1: long-distance number + local office number) of a telephone number, the low order digit portion (telephone number 2: subscriber's number) of a telephone number, a member name, address information (address 2), and map coordinates. In this case, search of the subscriber information based on the telephone number in the database manager 51 is performed via the query view 51A.

[0057]The subscriber information searched via the query view 51A, i.e., a member name, a subscriber address (address information (address 1) + address information (address 2)), and map coordinates are outputted as search results from the database manager 51.

[0058]The map display treating part 4 displays the map near the subscriber address which gave the index to the map coordinates position based on the subscriber information concerned based on the subscriber information outputted from the database manager 51, i.e., the spot, on a display, and prints it out if needed. For this reason, map information is beforehand prepared for the map display treating part 4, and it stores in it so that it can access based on a subscriber address. Or the map display treating part 4 enables search of the map information currently prepared outside by the network course based on the subscriber address.

[0059]The member name and subscriber address of subscriber information which are outputted from the database manager 51 of the subscriber information retrieval part 5, Instead of carrying out a map display by the map display treating part 4, it only displays on a display as a character string, or it prints out with a printer, and may be made to use. Beforehand, in ***, include the map coordinate information corresponding to a subscriber address in subscriber information, store it in the subscriber information table 62 of the subscriber information storage 6, and the map display treating part 4, Although the index which shows the map and subscriber address position near the subscriber address was displayed based on this map coordinate information, map coordinates are not included in subscriber information and the map display treating part 4 may be made to perform a map display only from a subscriber address.

[0060]Next, operation of the place-of-dispatch search system shown in drawing 4 is explained with reference to the flow chart shown in drawing 6.

[0061]The address information table 61 which made the subscriber information storage 6 equivalent to the portion (telephone number 1) which consists of a long-distance number and a local office number like the high-order-digit portion of a telephone number, for example, drawing 5, and stored address information (address 1), The high-order-digit portion (telephone number 1) and the subscriber information table 62 which stored the address portion (address 2) and the corresponding map coordinates of the member name and the subscriber address are stored by using as a key the telephone number containing the low order digit portion (telephone number 2) which consists of subscriber's numbers.

[0062]a telephone number inputs from the switchboard 1 -- having (Step S11) -- the database manager 51 of the subscriber information retrieval part 5 searches the address information subscriber information table 61 and 62 of the subscriber information storage 6 via the query view 51A (Step S12). As a result of search of Step S12, the database manager 51 as subscriber information corresponding to the high-order-digit portion (telephone number 1) and low order digit portion (telephone number 2) of a telephone number, For example, the map coordinates corresponding to the subscriber address and it which consist of address portions (address 2) of a member name, address information (address 1), and a subscriber address, etc. are acquired (Step S13), and subscriber information is outputted (Step S14). The map display treating part 4 displays the part corresponding to a subscriber address with a map based on the subscriber address and map coordinates which were outputted (Step S15). Directions required for start of emergency vehicles, such as an ambulance and a motor fire engine, are emitted if needed. An emergency vehicle departs according to these directions. Then, processing is ended.

[0063]Thus, the subscriber information for which it wishes can be efficiently searched promptly by the database manager 51 using a database management system. Namely, in the subscriber information storage 6, the subscriber information table 62 which stores subscriber information by using a telephone number as a key divides the table for every long-distance number for improvement in the speed. The address information table 61 was formed as an independent table which is different in the subscriber information table 62 for normalization. On the occasion of sending agency search, by searching via query view 51A, application programs (AP) are one search directions from a telephone number, and can acquire subscriber information. What is necessary is just to include the whole subscriber address in a subscriber information table, when normalization of a table is unnecessary.

[0064]The place-of-dispatch search system of this invention can be realized using the usual computer system, without constituting as a system for exclusive use. For example, the place-of-dispatch search system which

performs above-mentioned processing can be built by installing a program from the media (a floppy disk, CD-ROM, etc.) which stored the program for performing above-mentioned operation in the computer system. The program concerned is stored in media, such as a hard disk within a computer system, and constitutes a place-of-dispatch search system, and execution is presented with it by installation. The medium for supplying a program to a computer may be a storage of a broad sense which contains the communication media etc. which hold information, including a program etc., temporarily and fluidly not only like a storage in a narrow sense but like a communication line, a communication network, and a communications system.

[0065] For example, the program concerned is registered into the FTP (File Transfer Protocol) server on communication networks, such as the Internet, It may distribute to an FTP client via a network, and a program may be registered into the electronic bulletin board (BBS: Bulletin Board System) of a communication network, etc., and this may be distributed via a network. And above-mentioned processing can be attained by starting this program and performing under control of OS (Operating System). Above-mentioned processing can be attained also by carrying out starting execution, transmitting a program via a communication network.

[0066]

[Effect of the Invention] As explained above, according to this invention, the subscriber information of the subscriber address corresponding to the telephone number inputted, etc. can be searched at high speed efficient, and the place-of-dispatch search method and system which make it possible to receive an emergency vehicle etc. easily and exactly can be provided. An above-mentioned place-of-dispatch search method and system can be provided with the storage of this invention using a computer.

[Translation done.]

(19) 日本国特許庁 (J P)

(12) 公開特許公報 (A)

(11) 特許出願公開番号

特開平11-55407

(43) 公開日 平成11年(1999) 2月26日

(51) Int.Cl.⁶

識別記号

F I

H 0 4 M 3/42

H 0 4 M 3/42

T

G 0 6 F 17/30

11/08

Z

H 0 4 M 11/08

G 0 6 F 15/40

3 7 0 Z

審査請求 未請求 請求項の数13 O L (全 13 頁)

(21) 出願番号

特願平9-210464

(71) 出願人 000102728

株式会社エヌ・ティ・ティ・データ
東京都江東区豊洲三丁目3番3号

(22) 出願日

平成9年(1997) 8月5日

(72) 発明者 松浦 正人

東京都江東区豊洲三丁目3番3号 エヌ・ティ・ティ・データ通信株式会社内

(72) 発明者 久田 三郎

東京都江東区豊洲三丁目3番3号 エヌ・ティ・ティ・データ通信株式会社内

(72) 発明者 藤原 修三

東京都江東区豊洲三丁目3番3号 エヌ・ティ・ティ・データ通信株式会社内

(74) 代理人 弁理士 木村 満

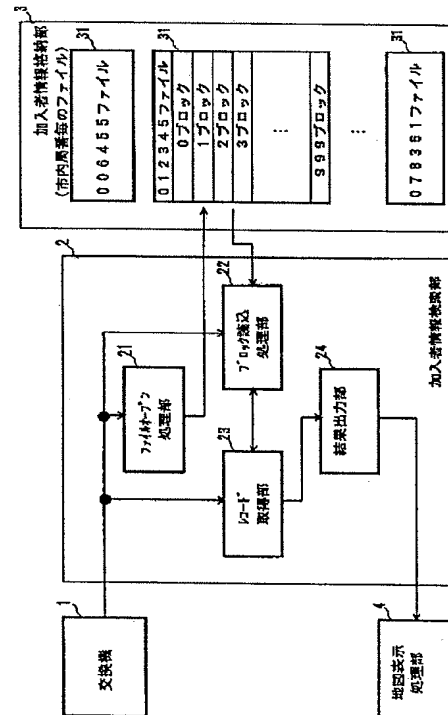
最終頁に続く

(54) 【発明の名称】 発信地検索方法及びシステム、及び記録媒体

(57) 【要約】

【課題】 入力される電話番号に対応する加入者住所等の加入者情報を高効率で且つ高速に検索し、緊急車両等の受付を容易に且つ的確に行うことを可能とする。

【解決手段】 電話番号が入力されると、加入者情報検索部2のファイルオープン処理部21が、加入者情報格納部3を検索し、電話番号の「市外局番+市内局番」の構成要素からなる文字列をファイルネームとする加入者情報ファイル31をオープンする。ブロック読込処理部22は、加入者番号の上3桁を抽出し、オープンした加入者情報ファイル31中の該当ブロックを読み込む。レコード取得部23は、ブロック読込処理部22で読み込んだブロック中から、加入者番号の最下位桁を抽出し、これをレコード番号とするレコードを特定して、加入者情報を取得する。地図表示処理部4は、加入者情報に対応する個所を地図と共に表示する。



【特許請求の範囲】

【請求項 1】数字を含む複数桁の文字列からなる電話番号の上位の複数桁からなる上位桁部分をファイル名とし、該電話番号の前記上位桁部分に隣接する中位の前記上位桁部分以下の桁数の複数桁からなる中位桁部分をブロック番号とし、そして該電話番号の前記中位桁部分に隣接する最下位の 1 桁以上で且つ前記中位桁部分以下の桁数の桁からなる下位桁部分をレコード番号として各レコードに加入者名及び加入者住所を含む加入者情報を格納した直接編成ファイルとして、前記電話番号に対応する前記加入者情報を格納する加入者情報格納手段と、前記電話番号を入力する電話番号入力手段と、前記電話番号入力手段により入力された前記電話番号に基づいて前記加入者情報格納手段をアクセスし、該電話番号の前記上位桁部分をファイル名とするファイルをオープンするファイルオープン手段、該ファイルオープン手段によりオープンしたファイルの前記中位桁部分をブロック番号とするブロックを読み込むブロック読み込み手段、及び該ブロック読み込み手段で読み込んだブロックの前記下位桁部分をレコード番号とするレコードを特定して該レコードに登録されている加入者情報を取り出すレコード特定手段を有し、前記加入者情報格納手段から前記電話番号に対応する加入者情報を検索して、取得する加入者情報検索手段と、前記加入者情報検索手段で取得された前記加入者情報を出力する加入者情報出力手段と、を具備することを特徴とする発信地検索システム。

【請求項 2】前記加入者情報格納手段は、市外局番及び市内局番からなる部分を前記上位桁部分とし、加入者番号の最下位の 1 桁を除く部分を前記中位桁部分とし、そして加入者番号の最下位の 1 桁を前記下位桁部分として前記直接編成ファイルを構成する手段を含むことを特徴とする請求項 1 に記載の発信地検索システム。

【請求項 3】数字を含む多数桁の文字列からなる電話番号の上位の複数桁からなる上位桁部分毎の住所情報をテーブルとした住所情報テーブルを格納し、且つ前記上位桁部分毎に前記電話番号をキーとして加入者名及び加入者住所の前記上位桁部分毎の住所情報以外の部分を含む加入者情報を格納した加入者情報テーブルを格納する加入者情報格納手段と、前記電話番号を入力する電話番号入力手段と、前記電話番号入力手段により入力された前記電話番号に基づいて、前記加入者情報格納手段に格納される前記住所情報テーブル及び加入者情報テーブルから、リレーショナルデータベース方式により、前記電話番号に対応する加入者情報を取得するデータベース管理手段を含む加入者情報検索手段と、前記加入者情報検索手段で取得された加入者情報を出力する加入者情報出力手段と、を具備することを特徴とする発信地検索システム。

【請求項 4】前記加入者情報格納手段は、前記電話番号の市外局番及び市内局番からなる部分を前記上位桁部分として前記住所情報テーブル及び前記加入者情報テーブルを構成する手段を含むことを特徴とする請求項 3 に記載の発信地検索システム。

【請求項 5】前記加入者情報出力手段は、前記加入者情報検索手段で取得された加入者住所に相当する個所を示す指標を付した地図を表示する地図表示手段を含むことを特徴とする請求項 1 乃至 4 のいずれか 1 項に記載の発信地検索システム。

【請求項 6】前記電話番号入力手段は、電話局の発信番号報知機能を有する交換機からの発信電話番号を受信する手段を含むことを特徴とする請求項 1 乃至 5 のいずれか 1 項に記載の発信地検索システム。

【請求項 7】前記加入者情報格納手段は、加入者情報として、加入者住所に対応する地図座標情報を格納する手段を含み、且つ前記加入者情報出力手段は、前記加入者情報検索手段で取得された加入者住所に対応する地図座標を示す指標を付した地図を表示する地図表示手段を含むことを特徴とする請求項 1 乃至 6 のいずれか 1 項に記載の発信地検索システム。

【請求項 8】前記電話番号入力手段は、電話交換機からの緊急呼び出しと該呼び出しに含まれている電話番号を入力し、緊急呼び出しシステムを構成することを特徴とする請求項 1 乃至 7 のいずれか 1 項に記載の発信地検索システム。

【請求項 9】数字を含む多数桁の文字列からなる電話番号の上位の複数桁からなる上位桁部分をファイル名とし、該電話番号の前記上位桁部分に隣接する中位の前記上位桁部分以下の桁数の複数桁からなる中位桁部分をブロック番号とし、そして該電話番号の前記中位桁部分に隣接する最下位の 1 桁以上で且つ前記中位桁部分以下の桁数の桁からなる下位桁部分をレコード番号として各レコードに加入者名及び加入者住所を含む加入者情報を格納した直接編成ファイルとして、前記電話番号に対応する前記加入者情報を加入者情報格納部に格納する加入者情報格納ステップと、前記電話番号を入力する電話番号入力ステップと、前記電話番号入力ステップで入力された前記電話番号に基づいて前記加入者情報格納部をアクセスし、該電話番号の前記上位桁部分をファイル名とするファイルをオープンするファイルオープンステップと、該ファイルオープンステップでオープンしたファイルの前記中位桁部分をブロック番号とするブロックを読み込むブロック読み込みステップと、該ブロック読み込みステップで読み込んだブロックの前記下位桁部分をレコード番号とするレコードを特定して該レコードに登録されている加入者情報を取得するレコード取得ステップと、

前記ファイルオープンステップでオープンしたファイルをクローズするファイルクローズステップと、前記レコード取得ステップで取得された前記加入者情報を出力する加入者情報出力ステップと、を有することを特徴とする発信地検索方法。

【請求項 1 0】数字を含む多数桁の文字列からなる電話番号の上位の複数桁からなる上位桁部分毎の住所情報をテーブルとした住所情報テーブルと前記上位桁部分毎に前記電話番号をキーとして加入者名及び加入者住所の前記上位桁部分毎の住所情報以外の部分を含む加入者情報を格納した加入者情報テーブルとを加入者情報格納部に格納する加入者情報格納ステップと、前記電話番号を入力する電話番号入力ステップと、前記電話番号入力ステップで入力された前記電話番号に基づいて、前記加入者情報格納部に格納される前記住所情報テーブル及び加入者情報テーブルから、リレーショナルデータベース方式によるデータベース管理により、前記電話番号に対応する加入者情報を取得する加入者情報検索ステップと、前記加入者情報検索ステップで取得された加入者情報を出力する加入者情報出力ステップと、を有することを特徴とする発信地検索方法。

【請求項 1 1】前記電話番号入力ステップは、電話交換機からの緊急呼び出しと該呼び出しに含まれている電話番号を入力し、前記加入者情報検索ステップにより取得された加入者情報に基づいて緊急車両の発進を指示するステップをさらに備え、緊急呼び出し方法を構成することを特徴とする請求項 9 又は 1 0 に記載の発信地検索方法。

【請求項 1 2】コンピュータシステムを、数字を含む複数桁の文字列からなる電話番号の上位の複数桁からなる上位桁部分をファイル名とし、該電話番号の前記上位桁部分に隣接する中位の前記上位桁部分以下の桁数の複数桁からなる中位桁部分をブロック番号とし、そして該電話番号の前記中位桁部分に隣接する最下位の 1 桁以上で且つ前記中位桁部分以下の桁数の桁からなる下位桁部分をレコード番号として各レコードに加入者名及び加入者住所を含む加入者情報を格納した直接編成ファイルとして、前記電話番号に対応する前記加入者情報を格納する加入者情報格納手段と、前記電話番号を入力する電話番号入力手段と、前記電話番号入力手段により入力された前記電話番号に基づいて前記加入者情報格納手段をアクセスし、該電話番号の前記上位桁部分をファイル名とするファイルをオープンするファイルオープン手段、該ファイルオープン手段によりオープンしたファイルの前記中位桁部分をブロック番号とするブロックを読み込むブロック読み込み手段、及び該ブロック読み込み手段で読み込んだブロックの前記下位桁部分をレコード番号とするレコードを特

定して該レコードに登録されている加入者情報を取り出すレコード特定手段を有し、前記加入者情報格納手段から前記電話番号に対応する加入者情報を検索して、取得する加入者情報検索手段と、前記加入者情報検索手段で取得された前記加入者情報を出力する加入者情報出力手段と、として機能させるプログラムを格納したコンピュータシステムにより読みとり可能な記録媒体。

【請求項 1 3】コンピュータシステムを、数字を含む多数桁の文字列からなる電話番号の上位の複数桁からなる上位桁部分毎の住所情報をテーブルとした住所情報テーブルを格納し、且つ前記上位桁部分毎に前記電話番号をキーとして加入者名及び加入者住所の前記上位桁部分毎の住所情報以外の部分を含む加入者情報を格納した加入者情報テーブルを格納する加入者情報格納手段と、前記電話番号を入力する電話番号入力手段と、前記電話番号入力手段により入力された前記電話番号に基づいて、前記加入者情報格納手段に格納される前記住所情報テーブル及び加入者情報テーブルから、リレーショナルデータベース方式により、前記電話番号に対応する加入者情報を取得するデータベース管理手段を含む加入者情報検索手段と、前記加入者情報検索手段で取得された加入者情報を出力する加入者情報出力手段と、として機能させるプログラムを格納したコンピュータシステムにより読みとり可能な記録媒体。

【発明の詳細な説明】

【0 0 0 1】

【発明の属する技術分野】この発明は、電話番号を入力情報として加入者情報を検索するシステムに係り、特に入力される電話番号から、加入者名及び加入者住所を含む加入者情報を高速に検索する発信地検索方法及びシステムに関する。

【0 0 0 2】

【従来の技術】例えば、消防署への 1 1 9 番通報又は警察署への 1 1 0 番通報等の緊急通報が利用されている。この種の緊急通報は、火災、急病人、けが人、事故又は犯罪の発生に際して行われるものである。消防署あるいは警察署等は、緊急通報を受け付けた際には、適切な緊急車両を直ちに発車させ速やかに現場に急行させなければならない。緊急車両としては、消防署の管轄では、火災の発生の際の消防車及び急病人又はけが人の発生の際の救急車があり、警察署の管轄では、事故又は犯罪の発生の際のパトロールカー及び事故処理車等の警察車両がある。

【0 0 0 3】消防署又は警察署等におけるこのような緊急通報の受付に際しては、急を要するものであり、直ちに緊急車両を急行させるべき現場を把握しなければならない。ところが、緊急時には、しばしば、申告者、つま

り通報者自身が、気が動転していて緊急車両を要請している場所を正確に伝えることが難しいことがある。緊急車両を急行させるべき場所を、正確に把握することができなければ、緊急車両は、現場へ到達することができず、しかるべき処置を行うことができない。

【0004】ところが通報そのものは、多くの場合、現場近傍から電話にて行われており、通報者が動転していても電話番号を確認することは比較的容易である。しかも、発信電話番号表示サービスのように、受信者に発信元電話番号を報知するシステムにおいては、交換機を介して自動的に送信される発信元電話番号を受信側の発信元検索システムに入力することも可能である。そこで、このような電話番号から、電話番号簿等を検索し、その電話番号に対応する加入者の加入者情報すなわち加入者名及び住所等を速やかに取得し、現場を特定することが望まれている。

【0005】このように、電話番号から加入者情報を検索する技術が、特開平5-130235号公報、特開平5-191504号公報、特開平6-231020号公報、特開平8-190555号公報、に開示されている。

【0006】特開平5-130235号公報には、電話番号に基づいてデータベースから氏名等を索出し、ダウンロードする技術が開示されている。特開平5-191504号公報には、電話番号に基づいて第1のデータベースから加入者名及び住所を取得し、その住所から第2のデータベースを検索して当該住所近傍の地図を取得する技術が開示されている。特開平6-231020号公報には、電話番号に基づいて第1データベースから大分類住所情報を検索し、第2データベースから中分類住所情報を検索し、加入者名及び住所を取得し、その住所から第2のデータベースを検索して当該住所近傍の地図を取得する技術が開示されている。また、特開平8-190555号公報には、市外・市内局番から該当する住所の住所コードを求め、住所コードから住所の表記、読み等の住所情報として出力する技術が開示されている。

【0007】

【発明が解決しようとする課題】しかし、特開平5-130235号公報及び特開平5-191504号公報には、電話番号から住所を検索する際に、データベースの検索を高速化する技術について触れていない。特開平6-231020号公報には、大分類住所情報を検索した後、索出した大分類住所に属す中分類住所情報を選択する必要があり、高速に完全な住所を検索することができない。また、特開平8-190555号公報に開示された方法では、電話番号の市外局番と市内局番のみを使用するため、正確な住所を判別することができない。また、中間コードとして住所コードを使用するため、検索に時間がかかる。

【0008】従って、これらの文献に開示された技術を

使用してもデータベースの検索の高速化に寄与できない。電話番号に対応する加入者住所のデータベースについては、数千万件にも及ぶ電話番号から特定の1加入者を検索しなければならない。このように多数のデータから特定の1加入者の住所を検索する場合、従来の一般的な検索方式では、検索に時間がかかり、緊急車両が現場に急行することができない。

【0009】この発明は、上述した事情に鑑みてなされたもので、入力される電話番号に対応する加入者住所等の加入者情報を高効率で且つ高速に検索することができ、緊急車両等の受付を容易に且つ的確に行うことを可能とする発信地検索方法及びシステムを提供することを目的とする。また、この発明は、緊急時、電話番号を自動的に判別し、且つ、その電話番号などからその住所などの情報を高速に判別することができる発信地検索方法及びシステムを提供することを目的とする。

【0010】

【課題を解決するための手段】上記目的を達成するため、この発明の第1の観点による発信地検索システムは、数字を含む多数桁の文字列からなる電話番号の上位の複数桁からなる上位桁部分をファイル名とし、該電話番号の前記上位桁部分に隣接する中位の前記上位桁部分以下の桁数の複数桁からなる中位桁部分をブロック番号とし、そして該電話番号の前記中位桁部分に隣接する最下位の1桁以上で且つ前記中位桁部分以下の桁数の桁からなる下位桁部分をレコード番号として各レコードに加入者名及び加入者住所を含む加入者情報を格納した直接編成ファイルとして、前記電話番号に対応する前記加入者情報を格納する加入者情報格納手段と、前記電話番号を入力する電話番号入力手段と、前記電話番号入力手段により入力された前記電話番号に基づいて前記加入者情報格納手段をアクセスし、該電話番号の前記上位桁部分をファイル名とするファイルをオープンするファイルオープン手段、該ファイルオープン手段によりオープンしたファイルの前記中位桁部分をブロック番号とするブロックを読み込むブロック読み込み手段、及び該ブロック読み込み手段で読み込んだブロックの前記下位桁部分をレコード番号とするレコードを特定して該レコードに登録されている加入者情報を取り出すレコード特定手段を有し、前記加入者情報格納手段から前記電話番号に対応する加入者情報を検索して、取得する加入者情報検索手段と、前記加入者情報検索手段で取得された前記加入者情報を出力する加入者情報出力手段と、を具備する。

【0011】この発信地検索システムでは、加入者情報データの格納及び検索方式を、検索効率を高めるべく設定している。このため、発信地として入力される電話番号に対応する加入者住所等の加入者情報を高効率で且つ高速に検索し、該発信地の位置を的確に把握することができる。

【0012】前記加入者情報格納手段は、市外局番及び

市内局番からなる部分を前記上位桁部分とし、加入者番号の最下位の 1 桁を除く部分を前記中位桁部分とし、そして加入者番号の最下位の 1 桁を前記下位桁部分として前記直接編成ファイルを構成する手段を含んでいてもよい。

【0013】この発明の第 2 の観点による発信地検索システムは、数字を含む多数桁の文字列からなる電話番号の上位の複数桁からなる上位桁部分毎の住所情報をテーブルとした住所情報テーブルを格納し、且つ前記上位桁部分毎に前記電話番号をキーとして加入者名及び加入者住所の前記上位桁部分毎の住所情報以外の部分を含む加入者情報を格納した加入者情報テーブルを格納する加入者情報格納手段と、前記電話番号を入力する電話番号入力手段と、前記電話番号入力手段により入力された前記電話番号に基づいて、前記加入者情報格納手段に格納される前記住所情報テーブル及び加入者情報テーブルから、リレーショナルデータベース方式により、前記電話番号に対応する加入者情報を取得するデータベース管理手段を含む加入者情報検索手段と、前記加入者情報検索手段で取得された加入者情報を出力する加入者情報出力手段と、を具備する。

【0014】この発信地検索システムも、加入者情報データの格納及び検索方式を、検索効率を高めるべく設定している。このため、発信地として入力される電話番号に対応する加入者住所等の加入者情報を高効率で且つ高速に検索し、該発信地の位置を的確に把握することができる。

【0015】前記加入者情報格納手段は、前記電話番号の市外局番及び市内局番からなる部分を前記上位桁部分として前記住所情報テーブル及び前記加入者情報テーブルを構成する手段を含んでいてもよい。

【0016】前記加入者情報出力手段は、前記加入者情報検索手段で取得された加入者住所に相当する個所を示す指標を付した地図を表示する地図表示手段を含んでいてもよい。

【0017】前記電話番号入力手段は、電話局の発信番号報知機能を有する交換機を含んでいてもよい。

【0018】前記加入者情報格納手段は、加入者情報として、加入者住所に対応する地図座標情報を格納する手段を含み、且つ前記加入者情報出力手段は、前記加入者情報検索手段で取得された加入者住所に対応する地図座標を示す指標を付した地図を表示する地図表示手段を含んでいてもよい。

【0019】この発明の発信地検索システムは、緊急呼び出しシステムを構成する際に特に有効である。この場合、例えば、前記電話番号入力手段は、電話交換機からの緊急呼び出しと該呼び出しに含まれている電話番号を入力し、加入者情報出力手段は、検索した加入者情報に基づいて、緊急車両の発進等を指示する。

【0020】この発明の第 3 の観点による発信地検索方

10

20

30

40

50

法は、数字を含む多数桁の文字列からなる電話番号の上位の複数桁からなる上位桁部分をファイル名とし、該電話番号の前記上位桁部分に隣接する中位の前記上位桁部分以下の桁数の複数桁からなる中位桁部分をブロック番号とし、そして該電話番号の前記中位桁部分に隣接する最下位の 1 桁以上で且つ前記中位桁部分以下の桁数の桁からなる下位桁部分をレコード番号として各レコードに加入者名及び加入者住所を含む加入者情報を格納した直接編成ファイルとして、前記電話番号に対応する前記加入者情報を加入者情報格納部に格納する加入者情報格納ステップと、前記電話番号を入力する電話番号入力ステップと、前記電話番号入力ステップで入力された前記電話番号に基づいて前記加入者情報格納部をアクセスし、該電話番号の前記上位桁部分をファイル名とするファイルをオープンするファイルオープンステップと、該ファイルオープンステップでオープンしたファイルの前記中位桁部分をブロック番号とするブロックを読み込むブロック読み込みステップと、該ブロック読み込みステップで読み込んだブロックの前記下位桁部分をレコード番号とするレコードを特定して該レコードに登録されている加入者情報を取得するレコード取得ステップと、前記ファイルオープンステップでオープンしたファイルをクローズするファイルクローズステップと、前記レコード取得ステップで取得された前記加入者情報を出力する加入者情報出力ステップと、を有する。

【0021】この発信地検索方法は、加入者情報データの格納及び検索方式を、検索効率を高めるべく設定している。このため、発信地として入力される電話番号に対応する加入者住所等の加入者情報を高効率で且つ高速に検索し、該発信地の位置を的確に把握することができる。

【0022】前記加入者情報格納ステップは、市外局番及び市内局番からなる部分を前記上位桁部分とし、加入者番号の最下位の 1 桁を除く部分を前記中位桁部分とし、そして加入者番号の最下位の 1 桁を前記下位桁部分として前記直接編成ファイルを構成するステップを含んでいてもよい。

【0023】前記加入者情報出力ステップは、前記レコード取得ステップで取得された加入者住所に相当する個所を示す指標を付した地図を表示する地図表示ステップを含んでいてもよい。

【0024】前記加入者情報格納ステップは、加入者情報として、加入者住所に対応する地図座標情報を格納するステップを含み、且つ前記加入者情報出力ステップは、前記レコード取得ステップで取得された加入者住所に対応する地図座標を示す指標を付した地図を表示する地図表示ステップを含んでいてもよい。

【0025】この発明の第 4 の観点による発信地検索方法は、数字を含む多数桁の文字列からなる電話番号の上位の複数桁からなる上位桁部分毎の住所情報をテーブル

とした住所情報テーブル、並びに前記上位桁部分毎に前記電話番号をキーとして加入者名及び加入者住所の前記上位桁部分毎の住所情報以外の部分を含む加入者情報を格納した加入者情報テーブルを加入者情報格納部に格納する加入者情報格納ステップと、前記電話番号を入力する電話番号入力ステップと、前記電話番号入力ステップで入力された前記電話番号に基づいて、前記加入者情報格納部に格納される前記住所情報テーブル及び加入者情報テーブルから、リレーショナルデータベース方式によるデータベース管理により、前記電話番号に対応する加入者情報を取得する加入者情報検索ステップと、前記加入者情報検索ステップで取得された加入者情報を出力する加入者情報出力ステップと、を有する。

【0026】この発信地検索方法も、加入者情報データの格納及び検索方式を、検索効率を高めるべく設定している。このため、発信地として入力される電話番号に対応する加入者住所等の加入者情報を高効率で且つ高速に検索し、該発信地の位置を的確に把握することができる。

【0027】前記加入者情報格納ステップは、前記電話番号の市外局番及び市内局番からなる部分を前記上位桁部分として前記住所情報テーブル及び前記加入者情報テーブルを構成するステップを含んでいてもよい。

【0028】前記加入者情報出力ステップは、前記加入者情報検索ステップで取得された加入者住所に相当する個所を示す指標を付した地図を表示する地図表示ステップを含んでいてもよい。

【0029】前記加入者情報格納ステップは、加入者情報として、加入者住所に対応する地図座標情報を格納するステップを含み、且つ前記加入者情報出力ステップは、前記加入者情報検索ステップで取得された加入者住所に対応する地図座標を示す指標を付した地図を表示する地図表示ステップを含んでいてもよい。

【0030】この発明の発信地検索方法及びシステムを実現するためのプログラム、データ等をフロッピーディスク、CD-ROM等の記録媒体に格納して配布し、これをコンピュータやコンピュータシステムにインストールし、実行することにより、上述の方法やシステムを実現してもよい。

【0031】

【発明の実施の形態】以下、この発明の実施の形態を図面を参照して説明する。

【0032】まず、図1～図3を参照して、この発明の第1の実施の形態に係る発信地検索システムを説明する。図1は、この発明の第1の実施の形態に係る発信地検索システムの構成を示している。図1に示す発信地検索システムは、交換機1、加入者情報検索部2、加入者情報格納部3及び地図表示処理部4を備えている。

【0033】交換機1は、例えば発信番号表示サービスのような発信元番号を受信者側に報知するシステムに用

いられる発信番号報知機能を採用しており、電話局等に設置される。交換機1は、発信元の電話番号を出力し、この発信地検索システムに入力する。なお、交換機1が発信元の電話番号を出力することができない場合あるいは通報等が現場から遠く離れた個所からなされた場合には、交換機1から現場の電話番号を入力することができない。そのような場合を考慮し、別途に手操作による電話番号入力部を設けておいてもよい。すなわち、手操作による電話番号入力部を設けた場合には、通報等の受信時に通報者から現場の電話番号を聞き、その電話番号を電話番号入力部によりシステムに入力する。

【0034】加入者情報格納部3は電話番号とその電話番号に対応する加入者名及び加入者住所を含む加入者情報とを対応付けて格納している。この加入者情報格納部3は、加入者情報検索部2にネットワーク等を介して結合していてもよい。電話番号は、数字又は数字を含む文字記号の文字列により構成され、一般に、市外局番、市内局番及び加入者番号からなっている。この場合、電話番号の桁数は、対象とする電話番号のうち、最大の桁数に従って設定し、桁数が最大桁数に満たない場合には、最上位を“0”で埋めて、最下位桁側を揃える。したがって、例えば図2に示すように、電話番号を全10桁とすると、常に下位4桁が加入者番号となり、上位6桁が市外局番、市内局番及び桁数の不足を埋めた“0”で構成される。

【0035】すなわち、加入者情報格納部3は、複数の加入者情報ファイル31を格納している。加入者情報ファイル31は、図2に詳細を示すように、電話番号の上位桁部分例えば「市外局番+市内局番」の最上位6桁の文字列をファイル名とするいわゆる直接編成ファイル、すなわち直接アクセス方式(DAM: Direct Access Method)によりアクセスするファイルとして構成され、このような加入者情報ファイル31を対象とする加入者情報全体の「市外局番+市内局番」の数だけ作成する。なお、直接編成ファイルは、ブロック化レコードにより構成され、インデックスアクセス(一種の間接アクセス)を伴わない直接アクセス方式によりランダムにアクセスし得るファイルである。

【0036】各加入者情報ファイル31は、電話番号の中位桁部分、例えば、加入者番号の上位3桁、つまり“000”から“999”をブロック番号とする合計1000個のブロックにブロック化され、各ブロックは、加入者番号の下位桁部分、例えば最下位1桁“0”～“9”をブロック内のレコード相対位置を示すレコード番号とする10個のレコードで構成される。このような各レコードに加入者名及び加入者住所等の加入者情報を格納して加入者情報ファイル31を構成している。このとき、上位桁部分、中位桁部分及び下位桁部分は、それぞれ上述した桁数以外に設定してもよいが、下位桁部分の桁数よりも中位桁部分の桁数を多く、そして中位桁部

分よりも上位桁部分の桁数を多く設定することが望ましい。

【0037】加入者情報検索部2は、交換機1から入力される電話番号をキーとして加入者情報格納部3の各加入者情報ファイル31を検索し、加入者情報ファイル31に格納された加入者名及び加入者住所を含む加入者情報のうちの、入力された電話番号に対応するものを取得する。すなわち、加入者情報検索部2は、ファイルオープン処理部21、ブロック読込処理部22、レコード取得部23及び結果出力部24を有している。

【0038】ファイルオープン処理部21は、交換機1から入力された電話番号の「市外局番+市内局番」からなる上位桁部分に基づいて加入者情報格納部3をアクセスし、上位桁部分をファイル名とする加入者情報ファイル31をオープンする。ブロック読込処理部22は、ファイルオープン処理部21でオープンされた加入者情報ファイル31から、入力された電話番号の加入者番号の上位3桁からなる中位桁部分に該当するブロック番号のブロックを、加入者情報ファイル31から読み込む。

【0039】レコード取得部23は、ブロック読込処理部22で読み込まれたブロックから、電話番号の下位1桁からなる下位桁部分に該当するレコード番号のレコード、すなわち該当する加入者の加入者名及び住所を取得する。既に述べたように、このレコード取得部23による加入者情報の取得後に、それまでオープンしていた加入者情報ファイル31が、ファイルオープン処理部21によりクローズされる。結果出力部24は、加入者情報の検索結果、すなわちレコード取得部23により取得した加入者情報を出力する。

【0040】地図表示処理部4は、加入者情報検索部2の結果出力部24から出力される加入者情報に基づいて、当該加入者情報に基づく加入者住所に該当する位置に指標を付した該加入者住所、すなわち現場の近傍の地図を、ディスプレイに表示し、必要に応じてプリンタによりプリントアウトする。このため、地図表示処理部4には、予め地図を用意し、加入者住所に基づいてアクセスし得るように格納しておく。あるいは、地図表示処理部4は、外部に用意されている地図情報を、加入者住所に基づいて例えばネットワーク経由で検索可能としてもよい。

【0041】地図表示処理部4が、救急車、消防車等の緊急車両の発進をあわせて指示してもよい。

【0042】なお、入力された電話番号に対応して取得されて、加入者情報検索部2の結果出力部24から出力される加入者情報の例えば加入者住所は、地図表示処理部4により地図表示する代わりに、単に文字列としてディスプレイ上に表示したり、プリンタによりプリントアウトしたりして利用するようにしてもよい。また、加入者住所に対応する地図座標情報を、加入者情報に含ませて、予め加入者情報格納部3の加入者情報ファイル31

に格納しておき、地図表示処理部4は、この地図座標情報に基づいて、加入者住所近傍の地図及び加入者住所位置を示す指標を表示するようにしてもよい。

【0043】加入者情報検索部2と地図表示処理部4は、例えば、消防署、警察署等に配置され、地図表示処理部4の指示に従って、緊急車両が発進する。

【0044】次に、図1に示す発信地検索システムの動作を、図3に示すフローチャートを参照して説明する。

【0045】加入者情報格納部3には、電話番号の上位桁部分すなわち「市外局番+市内局番」をファイル名とする直接編成ファイルからなる複数の加入者情報ファイル31が格納されている。加入者情報ファイル31は、対象となる全ての「市外局番+市内局番」について格納される。

【0046】処理が開始されると、交換機1から電話番号が入力される(ステップS1)。電話番号が入力されると、加入者情報検索部2のファイルオープン処理部21が、加入者情報格納部3を検索し、電話番号の上位桁部分、つまり「市外局番+市内局番」の構成要素からなる文字列をファイルネームとする加入者情報ファイル31をオープンする(ステップS2)。これが、加入者情報格納部3に対する加入者情報検索部2からの1回目のアクセスである。

【0047】次に、加入者情報検索部2のブロック読込処理部22が、入力電話番号の中位桁部分(加入者番号の上3桁)を抽出し、オープンした加入者情報ファイル31中の該当ブロックをアクセスして読み込む(ステップS3)。これが、加入者情報格納部3に対する加入者情報検索部2からの2回目のアクセスである。レコード取得部23は、ブロック読込処理部22で読み込んだブロック中から、入力電話番号の下位桁部分、つまり加入者番号の最下位桁を抽出し、これを実際に検索したいレコード番号としてレコードを特定して(ステップS4)、当該レコードの情報すなわち加入者名及び加入者住所等の加入者情報を取得する(ステップS5)。

【0048】次に、ファイルオープン処理部21は、ステップS2でオープンした加入者情報ファイル31をクローズする(ステップS6)。これが、加入者情報格納部3に対する加入者情報検索部2からの3回目のアクセスである。ステップS5で取得した加入者情報を、結果出力部24が出力し(ステップS7)、地図表示処理部4が加入者情報に対応する個所を地図と共に表示する(ステップS8)。さらに、必要に応じて、救急車、消防車、等の緊急車両の発進に必要な指示を発する。この指示に従って、緊急車両が発進する。その後、処理を終了する。

【0049】このようにして、例えば大阪市内のように数百万件の加入者の中からも、特定の1加入者を検索するために必要な加入者情報格納部3のディスク等のアクセス回数はわずか3回で済む。したがって、希望する

加入者情報を非常に少ないアクセス回数で検索することができる。

【0050】次に、図4～図6を参照して、この発明の第2の実施の形態に係る発信地検索システムを説明する。

【0051】図4は、この発明の第2の実施の形態に係る発信地検索システムの構成を模式的に示している。図4に示す発信地検索システムは、図1と同様の交換機1及び地図表示処理部4を備えており、さらに、図1の加入者情報検索部2及び加入者情報格納部3に代えて、これらとは異なる加入者情報検索部5及び加入者情報格納部6を備えている。図4の発信地検索システムでは、加入者情報の検索にいわゆるリレーショナルデータベースシステム、すなわちデータベース管理システム(DBMS: Database Management System)を用いる点で図1と相違する。

【0052】電話局等に設置される交換機1は、発信番号表示サービスのような発信元番号を受信者側に報知するシステムに用いられる発信番号報知機能を採用している。交換機1は、発信元の電話番号を出力し、この発信地検索システムに入力する。なお、別途に手操作による電話番号入力部を設けておいてもよい。

【0053】加入者情報格納部6は、住所情報テーブル61及び複数の加入者情報テーブル62を格納している。住所情報テーブル61は、電話番号の上位桁部分例えば図5に示すように市外局番及び市内局番からなる部分(電話番号1)に対応させて住所情報(住所1)を格納している。この住所情報は、例えば市内局番に対応する地域情報である。加入者情報テーブル62は、上位桁部分(電話番号1)及び下位桁部分、例えば加入者番号部分(電話番号2)を含む電話番号をキーとして、加入者名、加入者住所の残部例えば番地部分(住所2)及び対応する地図座標を格納している。

【0054】加入者情報検索部5は、加入者情報格納部6の格納情報をいわゆるリレーショナルデータベースとして処理して、いわゆるリレーショナルデータベースシステムすなわちデータベース管理システムを構築するデータベース管理部51を有している。

【0055】データベース管理部51は、図5に示すように、加入者情報格納部6の住所情報テーブル61及び複数の加入者情報テーブル62の情報に基づいて、電話番号の上位桁部分(電話番号1:市外局番+市内局番)、電話番号の下位桁部分(電話番号2:加入者番号)、加入者名、住所情報(住所1)、番地情報(住所2)及び地図座標を構成要素とするクエリービュー51Aを作成する。

【0056】このクエリービュー51Aは、住所情報テーブル61から電話番号の上位桁部分(電話番号1)をキーとして、住所情報(住所1)を抽出し、且つ電話番号の上位桁部分(電話番号1)に対応する加入者情報テ

ーブル62から、電話番号の上位桁部分(電話番号1:市外局番+市内局番)、電話番号の下位桁部分(電話番号2:加入者番号)、加入者名、番地情報(住所2)及び地図座標を抽出する構成とする。この場合、データベース管理部51における電話番号に基づく加入者情報の検索は、クエリービュー51Aを介して行われる。

【0057】クエリービュー51Aを介して検索された加入者情報、つまり加入者名、加入者住所(住所情報(住所1)+番地情報(住所2))及び地図座標は、データベース管理部51から検索結果として出力される。

【0058】地図表示処理部4は、データベース管理部51から出力される加入者情報に基づいて、当該加入者情報に基づく地図座標位置に指標を付した加入者住所、すなわち現場の近傍の地図を、ディスプレイに表示し、必要に応じてプリントアウトする。このため、地図表示処理部4には、予め地図情報を用意し、加入者住所に基づいてアクセスし得るように格納しておく。あるいは、地図表示処理部4は、外部に用意されている地図情報を、加入者住所に基づいて例えばネットワーク経由で検索可能としておく。

【0059】なお、加入者情報検索部5のデータベース管理部51から出力される加入者情報の加入者名及び加入者住所は、地図表示処理部4により地図表示する代わりに、単に文字列としてディスプレイ上に表示したり、プリンタによりプリントアウトしたりして利用するようにしてもよい。また、上述では加入者住所に対応する地図座標情報を、加入者情報に含ませて、予め加入者情報格納部6の加入者情報テーブル62に格納しておき、地図表示処理部4は、この地図座標情報に基づいて、加入者住所近傍の地図及び加入者住所位置を示す指標を表示するようにしたが、加入者情報に地図座標は含ませず、地図表示処理部4は、加入者住所のみから地図表示を行うようにしてもよい。

【0060】次に、図4に示す発信地検索システムの動作を、図6に示すフローチャートを参照して説明する。

【0061】加入者情報格納部6は、電話番号の上位桁部分例えば図5のように市外局番及び市内局番からなる部分(電話番号1)に対応させて住所情報(住所1)を格納した住所情報テーブル61と、上位桁部分(電話番号1)及び例えば加入者番号からなる下位桁部分(電話番号2)を含む電話番号をキーとして、加入者名、加入者住所の番地部分(住所2)及び対応する地図座標を格納した加入者情報テーブル62とを格納している。

【0062】交換機1から電話番号が入力される(ステップS11)と、加入者情報検索部5のデータベース管理部51が、クエリービュー51Aを介して、加入者情報格納部6の住所情報テーブル61及び加入者情報テーブル62を検索する(ステップS12)。ステップS12の検索の結果として、データベース管理部51は電話番号の上位桁部分(電話番号1)及び下位桁部分(電話

番号2)に対応する加入者情報として、例えば加入者名、住所情報(住所1)と加入者住所の番地部分(住所2)からなる加入者住所及びそれに対応する地図座標等を取得し(ステップS13)、加入者情報を出力する(ステップS14)。地図表示処理部4は、出力された加入者住所及び地図座標に基づき、加入者住所に対応する個所を地図と共に表示する(ステップS15)。さらに、必要に応じて、救急車、消防車、等の緊急車両の発進に必要な指示を発する。この指示に従って、緊急車両が発進する。その後、処理を終了する。

【0063】このようにして、データベース管理システムを利用したデータベース管理部51により、希望する加入者情報を効率よく迅速に検索することができる。すなわち、加入者情報格納部6においては、電話番号をキーとして加入者情報を格納している加入者情報テーブル62は、高速化のために、市外局番毎にテーブルを分けている。また、正規化のために、住所情報テーブル61を加入者情報テーブル62とは異なる独立テーブルとして形成した。発信元検索に際しては、アプリケーションプログラム(AP)等は、クエリービュー51A經由で検索を行うことにより、電話番号から1回の検索指示で、加入者情報を取得することができる。なお、テーブルの正規化が不要である場合には、加入者情報テーブルに加入者住所全体を含めればよい。

【0064】なお、この発明の発信地検索システムは、専用のシステムとして構成することなく、通常のコンピュータシステムを用いて実現することができる。例えば、コンピュータシステムに上述の動作を実行するためのプログラムを格納した媒体(フロッピーディスク、CD-ROM等)からプログラムをインストールすることにより、上述の処理を実行する発信地検索システムを構築することができる。インストールによって、当該プログラムは、コンピュータシステム内のハードディスク等の媒体に格納されて、発信地検索システムを構成し、実行に供される。また、コンピュータにプログラムを供給するための媒体は、狭義の記憶媒体に限らず、通信回線、通信ネットワーク及び通信システムのように、一時的且つ流動的にプログラム等の情報を保持する通信媒体等を含む広義の記憶媒体であってもよい。

【0065】例えば、インターネット等の通信ネットワーク上のFTP(File Transfer Protocol)サーバに当該プログラムを登録し、FTPクライアントにネットワ

ークを介して配信してもよく、通信ネットワークの電子掲示板(BBS:Bulletin Board System)等にプログラムを登録し、これをネットワークを介して配信してもよい。そして、このプログラムを起動し、OS(Operating System)の制御下において実行することにより、上述の処理を達成することができる。さらに、通信ネットワークを介してプログラムを転送しながら起動実行することによっても、上述の処理を達成することができる。

【0066】

10 【発明の効果】以上説明したように、この発明によれば、入力される電話番号に対応する加入者住所等の加入者情報を高効率で且つ高速に検索することができ、緊急車両等の受付を容易に且つ的確に行うことを可能とする発信地検索方法及びシステムを提供することができる。また、この発明の記憶媒体により、コンピュータを用いて、上述の発信地検索方法及びシステムを提供できる。

【図面の簡単な説明】

【図1】この発明の第1の実施の形態に係る発信地検索システムの構成を模式的に示すブロック図である。

20 【図2】図1の発信地検索システムにおける加入者情報格納部の構成及び機能を説明するための模式図である。

【図3】図1の発信地検索システムにおける動作を説明するためのフローチャートである。

【図4】この発明の第2の実施の形態に係る発信地検索システムの構成を模式的に示すブロック図である。

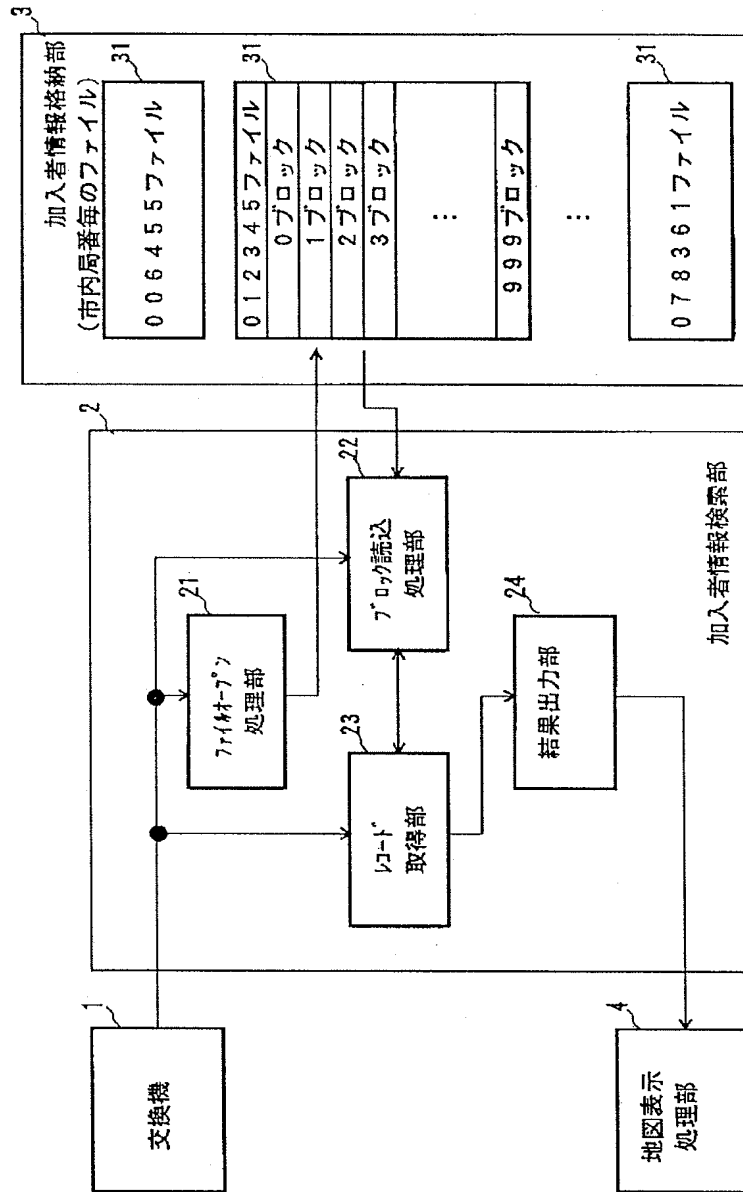
【図5】図4の発信地検索システムにおける加入者情報格納部の構成及び機能を説明するための模式図である。

【図6】図4の発信地検索システムにおける動作を説明するためのフローチャートである。

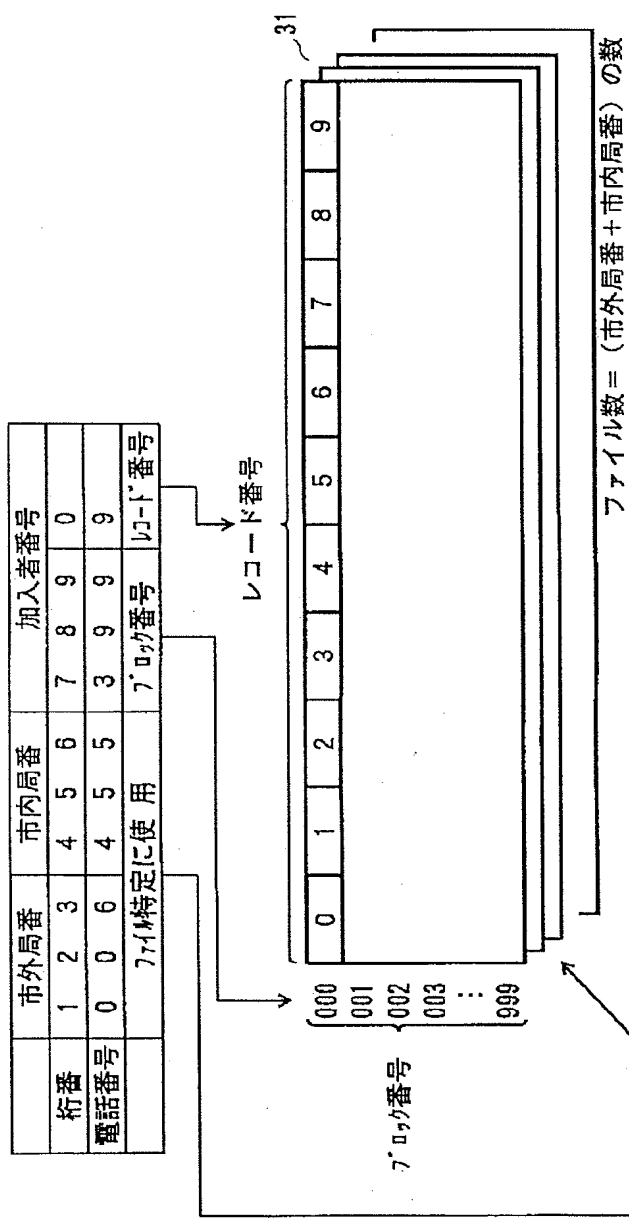
30 【符号の説明】

- 1 交換機
- 2, 5 加入者情報検索部
- 3, 6 加入者情報格納部
- 4 地図表示処理部
- 21 ファイルオープン処理部
- 22 ブロック読込処理部
- 23 レコード取得部
- 24 結果出力部
- 51 データベース管理部
- 40 51A クエリービュー
- 61 住所情報テーブル
- 62 加入者情報テーブル

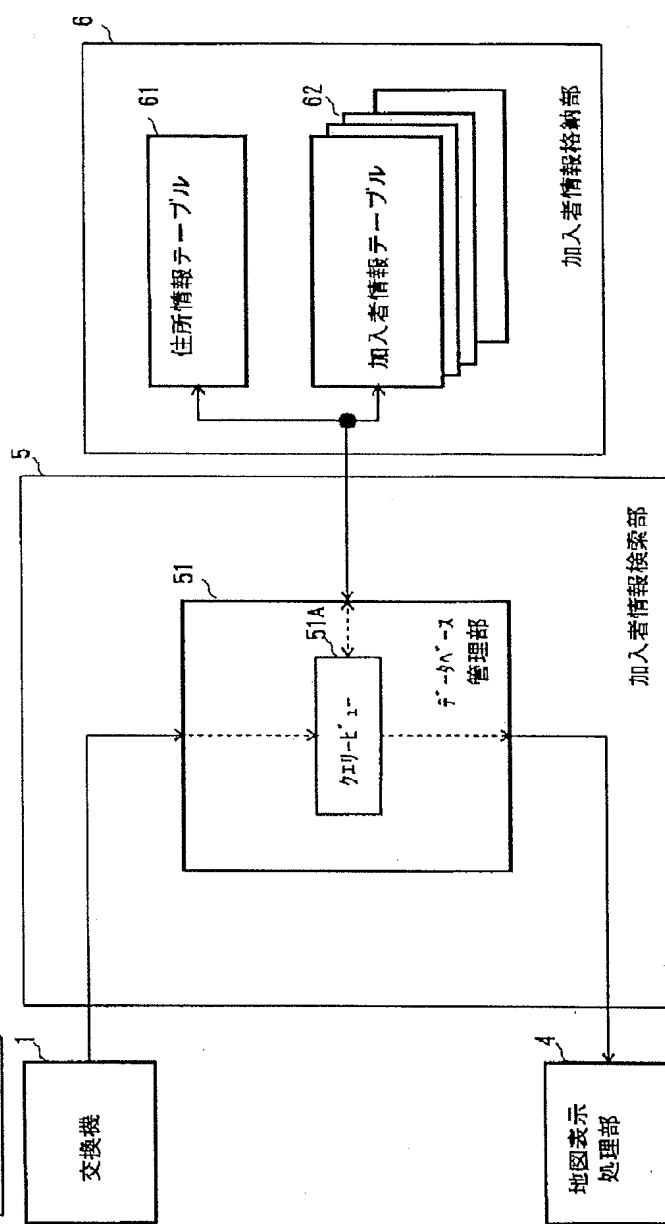
【図1】



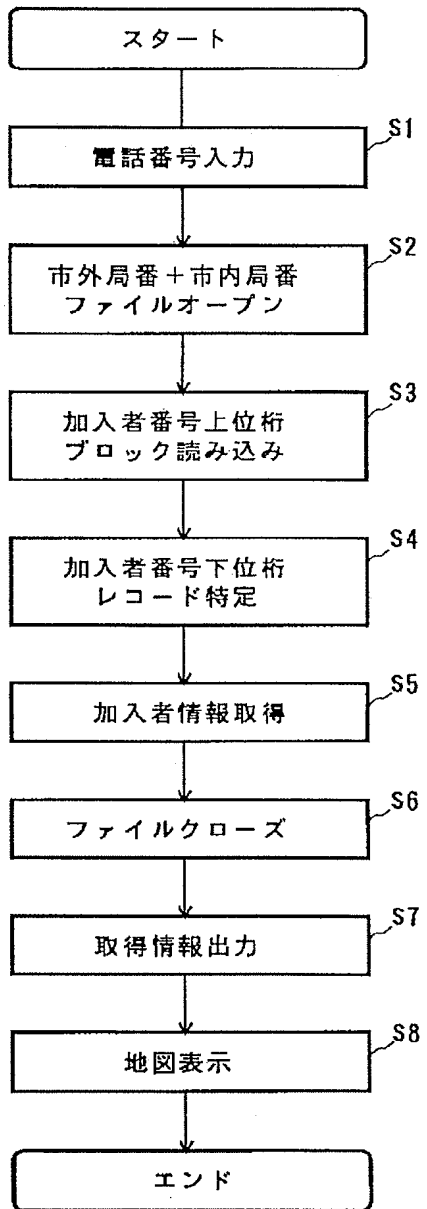
【図2】



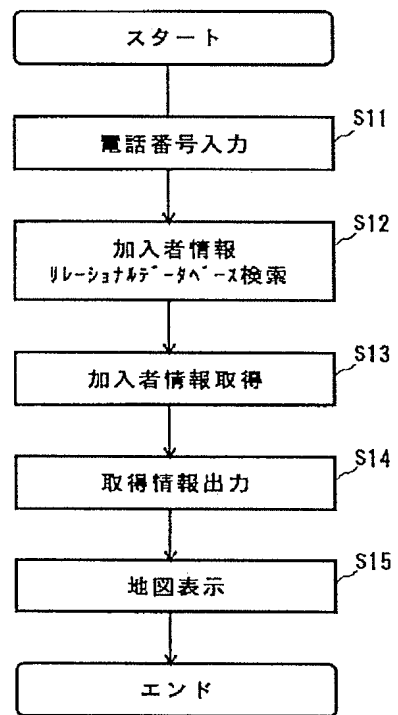
【図4】



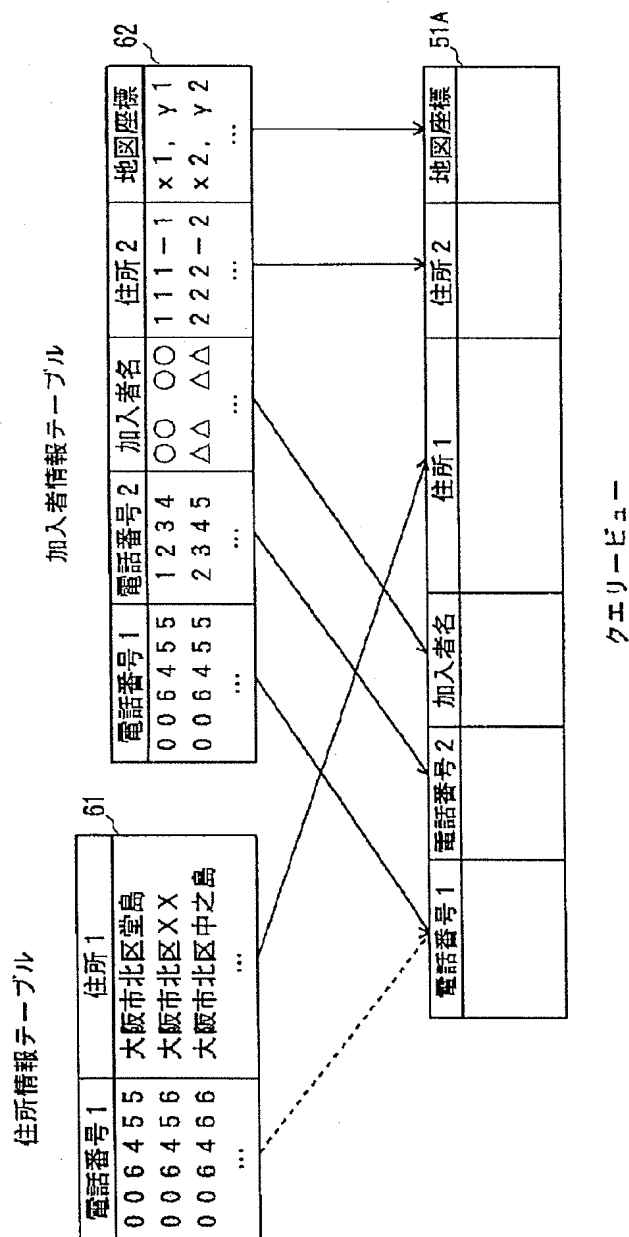
【図3】



【図6】



【図5】



フロントページの続き

(72)発明者 合田 則康
 東京都江東区豊洲三丁目3番3号 エヌ・
 ティ・ティ・データ通信株式会社内